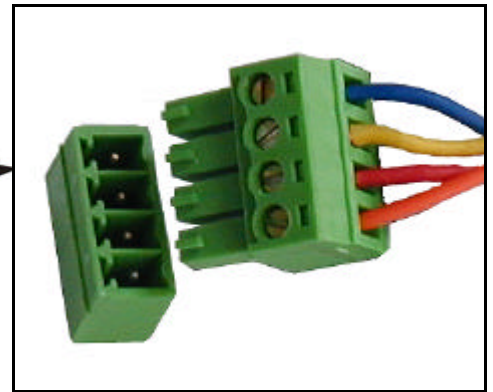


3.81MM PITCH PLUG-IN (GREEN) RISING CLAMP TERMINAL

- FEATURES:**
- 2-20 pole solid block
 - Plug in
 - Closed headers
 - Horizontal female plug style
 - Polarised mouldings
 - Moulded in green UL94-V0 flame retardant PA66
 - Professional rising clamp terminals
 - 1mm² cable entry
 - UL & CE approved
 - VDE pending
 - cUL applied
 - Anti solder wicking
 - Captive screws
 - Guided pin alignment

- SPECIFICATIONS**
- Rating: 9A/130V
 Dielectric strength: =1.25kV/60sec
 Insulation resistance: =5M?
 Working temperature: -20°C to 125°C
 Short period: 160°C
 Moulding: UL94-V0 flame retardant PA66
 Pin/terminal: 5µ tinned phosphor bronze
 Rising Clamp: 5µ nickel copper flash brass
 Screw/torque: M2 steel, 6µ zinc colour passivated & tropicalised/0.4Nm
 Recommended PCB hole size: F 1.0mm

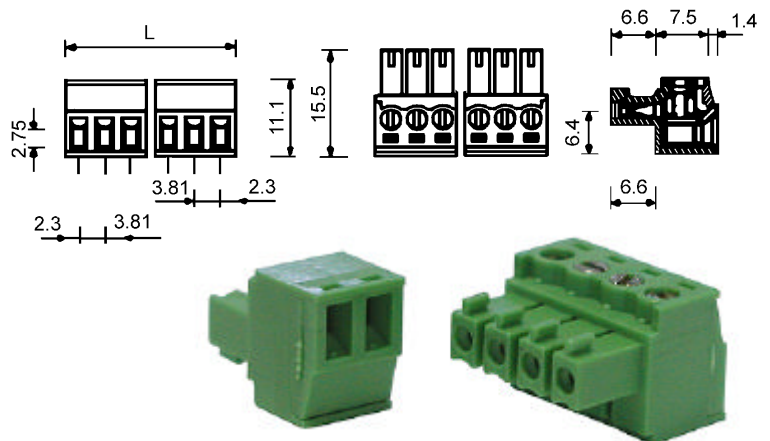


FEMALE CONNECTOR

Part Number	Type	Length
CTB92HE/2	2 Way	7.62mm
CTB92HE/3	3 Way	11.43mm
CTB92HE/4	4 Way	15.24mm
CTB92HE/5	5 Way	19.05mm
CTB92HE/6	6 Way	22.86mm
CTB92HE/7	7 Way	26.67mm
CTB92HE/8	8 Way	30.48mm
CTB92HE/9	9 Way	34.29mm
CTB92HE/10	10 Way	38.10mm
CTB92HE/11	11 Way	41.91mm

Part Number	Type	Length
CTB92HE/12	12 Way	45.72mm
CTB92HE/13	13 Way	49.53mm
CTB92HE/14	14 Way	53.34mm
CTB92HE/15	15 Way	57.15mm
CTB92HE/16	16 Way	60.96mm
CTB92HE/17	17 Way	64.77mm
CTB92HE/18	18 Way	68.58mm
CTB92HE/19	19 Way	72.39mm
CTB92HE/20	20 Way	76.20mm

Stock items are highlighted

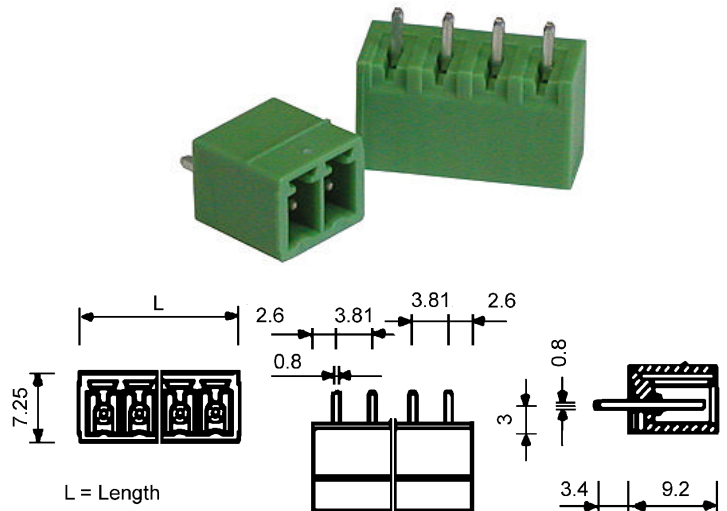


PCB MOUNTING MALE VERTICAL (CLOSED ENDED)

Part Number	Type	Length
CTB93VE/2	2 Way	7.62mm
CTB93VE/3	3 Way	11.43mm
CTB93VE/4	4 Way	15.24mm
CTB93VE/5	5 Way	19.05mm
CTB93VE/6	6 Way	22.86mm
CTB93VE/7	7 Way	26.67mm
CTB93VE/8	8 Way	30.48mm
CTB93VE/9	9 Way	34.29mm
CTB93VE/10	10 Way	38.10mm
CTB93VE/11	11 Way	41.91mm

Part Number	Type	Length
CTB93VE/12	12 Way	45.72mm
CTB93VE/13	13 Way	49.53mm
CTB93VE/14	14 Way	53.34mm
CTB93VE/15	15 Way	57.15mm
CTB93VE/16	16 Way	60.96mm
CTB93VE/17	17 Way	64.77mm
CTB93VE/18	18 Way	68.58mm
CTB93VE/19	19 Way	72.39mm
CTB93VE/20	20 Way	76.20mm

Stock items are highlighted

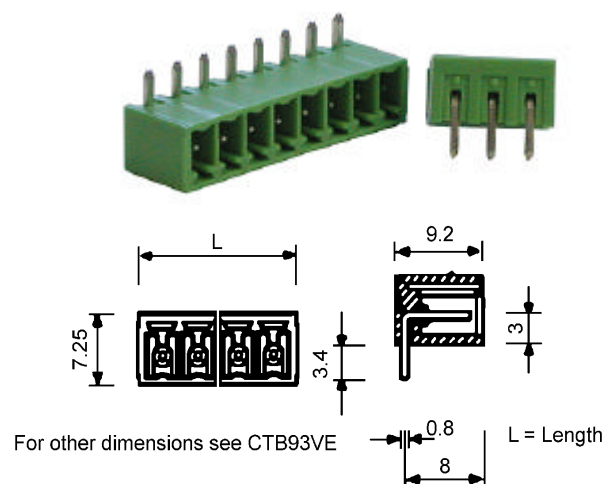


PCB MOUNTING MALE HORIZONTAL (CLOSED ENDED)

Part Number	Type	Length
CTB93HE/2	2 Way	7.62mm
CTB93HE/3	3 Way	11.43mm
CTB93HE/4	4 Way	15.24mm
CTB93HE/5	5 Way	19.05mm
CTB93HE/6	6 Way	22.86mm
CTB93HE/7	7 Way	26.67mm
CTB93HE/8	8 Way	30.48mm
CTB93HE/9	9 Way	34.29mm
CTB93HE/10	10 Way	38.10mm
CTB93HE/11	11 Way	41.91mm

Part Number	Type	Length
CTB93HE/12	12 Way	45.72mm
CTB93HE/13	13 Way	49.53mm
CTB93HE/14	14 Way	53.34mm
CTB93HE/15	15 Way	57.15mm
CTB93HE/16	16 Way	60.96mm
CTB93HE/17	17 Way	64.77mm
CTB93HE/18	18 Way	68.58mm
CTB93HE/19	19 Way	72.39mm
CTB93HE/20	20 Way	76.20mm

Stock items are highlighted



For other dimensions see CTB93VE

L = Length