

RISING CLAMP TERMINALS

RISING CLAMP 5.00MM PITCH HIGH CURRENT

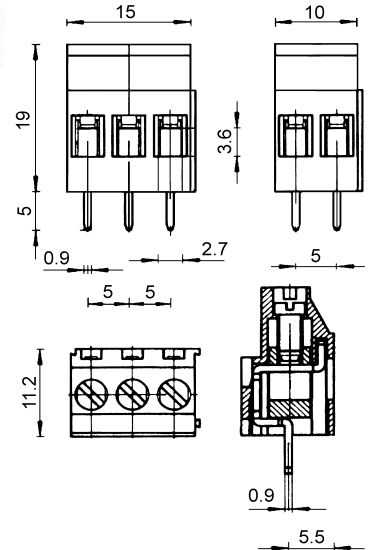
SPECIFICATIONS

Rating: 24A/380V
 Dielectric strength: >2.5kv/60sec
 Insulation resistance: >5MO
 Working temperature: -20°C to 125°C
 Short period: 160°C
 Moulding: UL94-V0 flame retardant PA66
 Pin/terminal: 5µ tinned, nickel plated brass
 Wire Clamp: Nickel plated brass
 Screw/torque: M3 steel/6µ zinc colour passivated & tropicalised/0.5Nm

Recommended PCB hole size: F 1.3mm



- FEATURES:**
- 2 & 3 pole double interlocking mechanism for increased strength
 - 4-12 pole pre-assembled
 - Moulded in green UL94-V0 flame retardant PA66
 - Professional rising clamp terminals
 - 4mm² cable entry
 - CE approved and cUL applied
 - Guided pin alignment
 - Captive screw



Straight Pins	
Part Number	Type
CTB0700/2	2 Way
CTB0700/3	3 Way

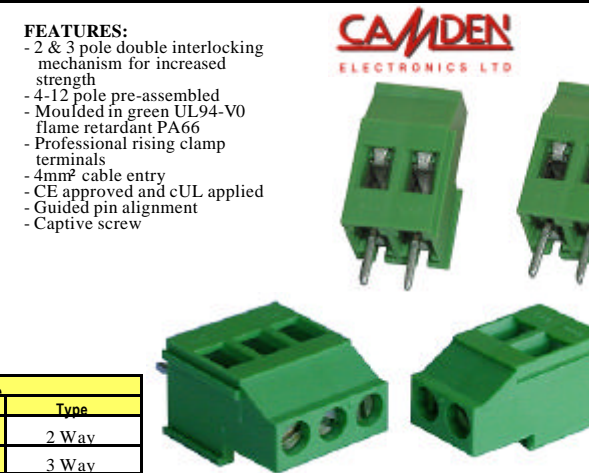
90 Deg Right Angle	
Part Number	Type
CTB0750/2	2 Way
CTB0750/3	3 Way

RISING CLAMP 5.08MM PITCH HIGH CURRENT

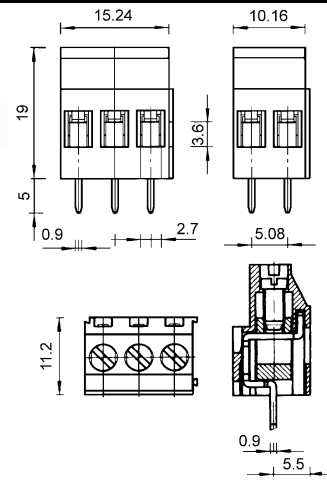
SPECIFICATIONS

Rating: 24A/380V
 Dielectric strength: >2.5kv/60sec
 Insulation resistance: >5MO
 Working temperature: -20°C to 125°C
 Short period: 160°C
 Moulding: UL94-V0 flame retardant PA66
 Pin/terminal: 5µ tinned, nickel plated brass
 Wire Clamp: Nickel plated brass
 Screw/torque: M3 steel/6µ zinc colour passivated & tropicalised/0.5Nm

Recommended PCB hole size: F 1.3mm



- FEATURES:**
- 2 & 3 pole double interlocking mechanism for increased strength
 - 4-12 pole pre-assembled
 - Moulded in green UL94-V0 flame retardant PA66
 - Professional rising clamp terminals
 - 4mm² cable entry
 - CE approved and cUL applied
 - Guided pin alignment
 - Captive screw



Straight Pins	
Part Number	Type
CTB0708/2	2 Way
CTB0708/3	3 Way

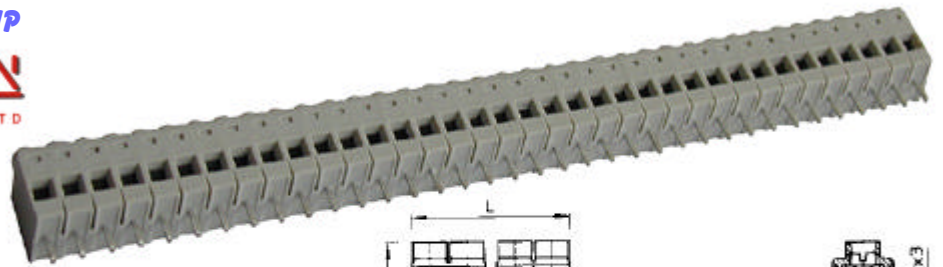
90 Deg Right Angle	
Part Number	Type
CTB0758/2	2 Way
CTB0758/3	3 Way

RISING CLAMP TERMINAL BLOCK STRIP

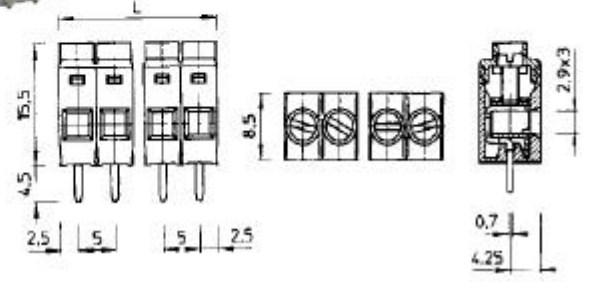
SPECIFICATIONS

Rating: 17.5A/380V
 Dielectric strength: >25kv
 Insulation resistance: >5M?
 Working temperature: -20°C to 125°C
 Short period: 160°C
 Moulding: UL94-V0 flame retardant Lexan
 Pin/terminal: 5 micron tinned, nickel plated brass
 Rising Clamp: Zinc plated steel
 Screw/torque: M2.5 steel/6µ zinc colour passivated & tropicalised/0.4Nm

Recommended PCB hole size: F 1.3mm



- FEATURES:**
- Unique 36 Pole 5.0mm Pitch
 - Easily cut to required length
 - Anti solder wicking
 - Moulded in grey UL94-V0 flame retardant Lexan
 - Professional rising clamp terminals
 - 4mm² cable entry
 - Guided pin alignment
 - Captive screws
 - UL Approved
 - To VDE 0110 Standards



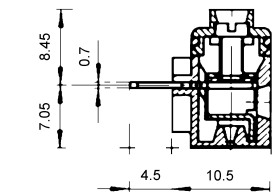
Part Number	Type
CTB7000/36	36 Way

90° RISING CLAMP TERMINAL BLOCK STRIP

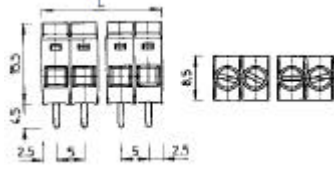
SPECIFICATIONS

Rating: 17.5A/380V
 Dielectric strength: >25kV/60secs
 Insulation resistance: >5M?
 Working temperature: -20°C to 125°C
 Short period: 160°C
 Moulding: UL94-V0 flame retardant Lexan
 Pin/terminal: 5µ tinned, nickel plated brass
 Rising Clamp: Zinc plated steel
 Screw/torque: M2.5 steel/6µ zinc colour passivated & tropicalised/0.4Nm

Recommended PCB hole size: F 1.3mm



- FEATURES:**
- Unique 36 Pole 5.0mm Pitch
 - Easily cut to required length
 - Anti solder wicking
 - Moulded in grey UL94-V0 flame retardant Lexan
 - Professional rising clamp terminals
 - 4mm² cable entry
 - Guided pin alignment
 - Captive screws
 - UL Approved
 - To VDE 0110 Standards



Part Number	Type
CTB7050/36	36 Way