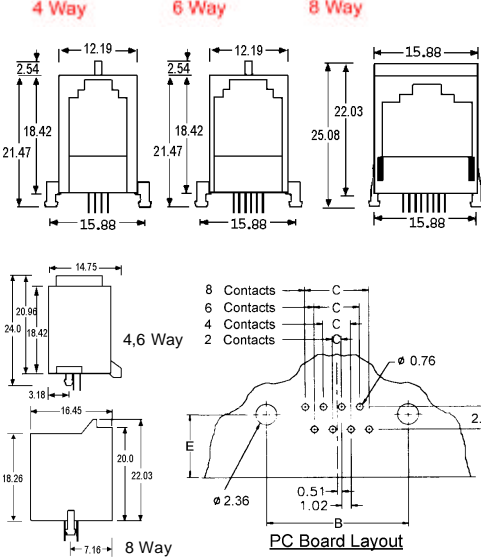
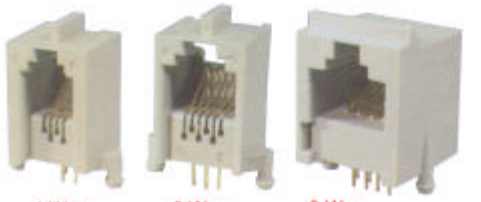


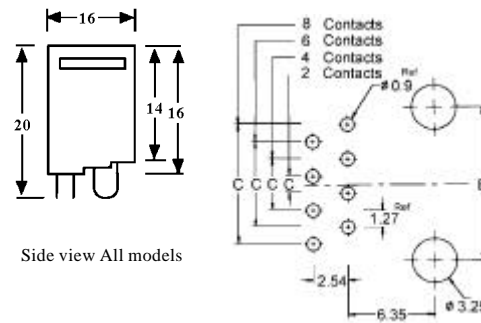
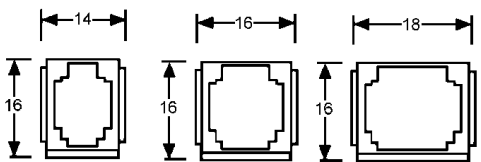
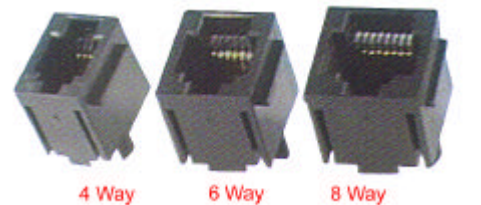
TELEPHONE SOCKETS

PCB MODULAR SOCKETS



Part Number	Type	B	F
PT809G4P4C	4 Way-4 Wire RJ11	15.88	3.18
PT809G6P6C	6 Way-6 Wire RJ12	15.88	3.18
PT809G8P8C	8 Way-8 Wire RJ45	15.88	7.16

TOP ENTRY SOCKETS



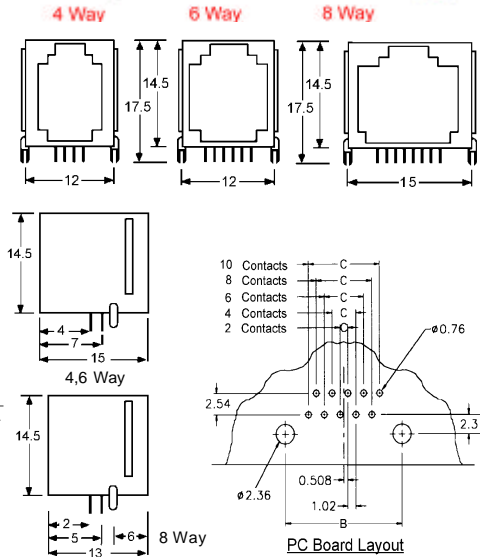
Part Number	Type	B
PT809H4P4C	4 Way-4 Wire RJ11	7.62
PT809H6P4C	6 Way-4 Wire RJ12	10.16
PT809H6P6C	6 Way-6 Wire RJ12	10.16
PT809H8P8C	8 Way-8 Wire RJ45	11.43

SPECIFICATIONS

Housing:.....PBT Mixed 15% Glass Fibre, 94V-O
 Contact:.....Gold Plated Phosphor Bronze Alloy
 Insulation Resistance:.....10M? Minimum
 Contact Resistance:.....20M? Max. per contact

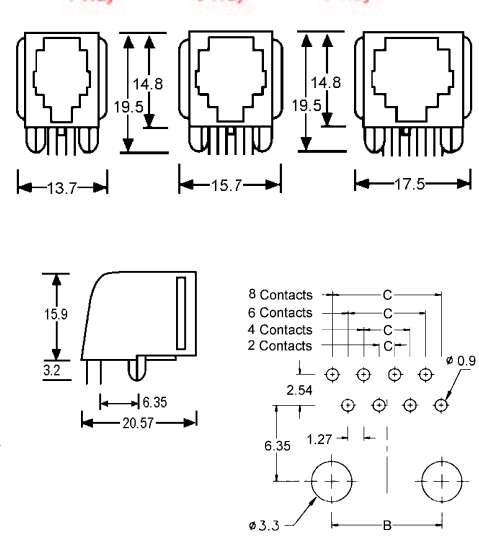
Dielectric Withstand Voltage:.....1000V AC RMS 60Hz
 Current Rating:.....1.5 Amps
 Mechanical Life:......00 cycles minimum
 Retention Strength:.....7.7Kg between plug & socket

LOW PROFILE SOCKETS



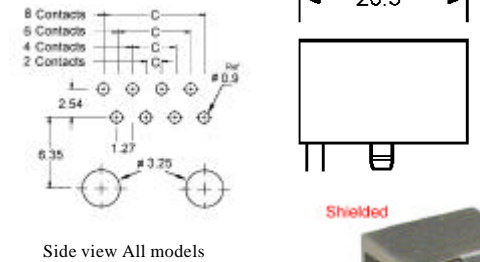
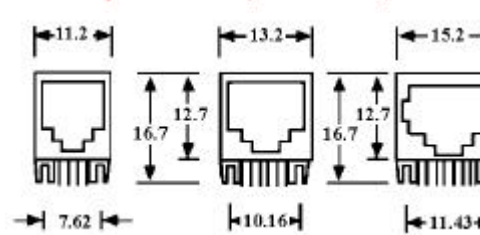
Part Number	Type	B
PT809F4P4C	4 Way-4 Wire RJ11	12.0
PT809F6P6C	6 Way-6 Wire RJ12	12.0
PT809F8P8C	8 Way-8 Wire RJ45	15.0

LOW PROFILE SOCKETS TYPE 11



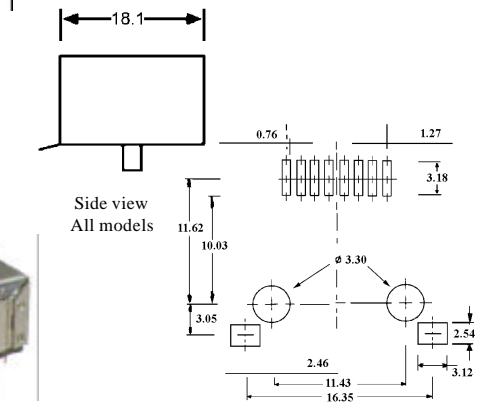
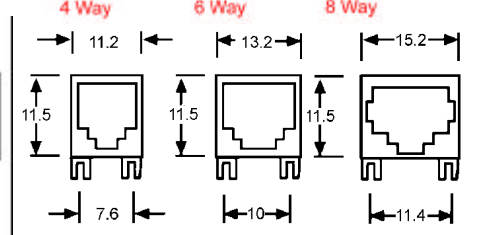
Part Number	Type	B
PT809C4P4C	4 Way-4 Wire RJ11	7.62
PT809C6P4C	6 Way-4 Wire RJ12	10.16
PT809C6P6C	6 Way-6 Wire RJ12	10.16
PT809C8P8C	8 Way-8 Wire RJ45	11.43

ENCLOSED MODULAR SOCKETS



Part Number	Type	Description
PT809D4P4C	4 Way-4 Wire RJ11	
PT809D6P4C	6 Way-4 Wire RJ12	
PT809D6P6C	6 Way-6 Wire RJ12	
PT809D8P8C	8 Way-8 Wire RJ45	
PT809DS8P8C	8 Way-8 Wire RJ45	Shielded

SURFACE MOUNT SOCKETS



Part Number	Type
PT809S4P4C	4 Way-4 Wire RJ11
PT809S6P6C	6 Way-6 Wire RJ12
PT809S8P8C	8 Way-8 Wire RJ45