

PUSH BUTTON SWITCHES

Push button. Illuminating handle.
Chassis Mounting 2.5 Amp, 250V AC,
Screw terminating

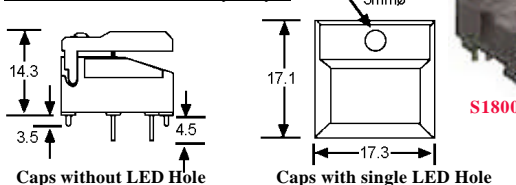


Part Number	Type
PBS602	SPST
PBS661	DPST

KEYBOARD DATA SWITCHES

Switch type - PCB mount SPDT Momentary
Contact rating - 50mA @ 24V DC
Contact resistance - <15m Ω ?
Available with or without a red 3mm LED (easily replaced)

Part Number	Type
S1800	Switch Body Only



Part Number	Colour
S1831	Black
S1832	Red
S1833	Grey
S1834	Yellow
S1835	Green
S1836	White
S1837	Blue

Part Number	Colour
S1841	Black
S1842	Red
S1843	Grey
S1844	Yellow
S1845	Green
S1846	White
S1847	Blue

TACTILE MEMBRANE SWITCHES

Miniature PCB 3.5 x 6mm

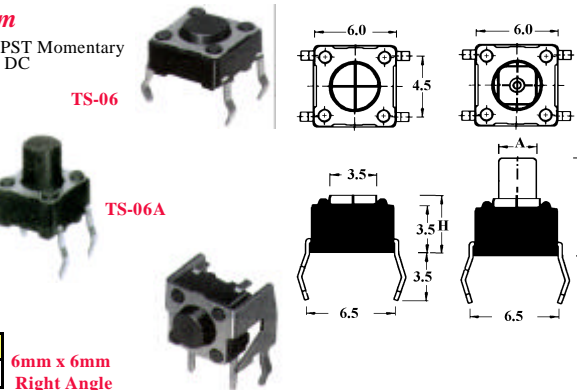


Miniature PCB 6 x 6mm

Switch type - PCB mount SPST Momentary
Contact rating - 50mA @ 12V DC
Contact resistance - <100m Ω ?
Actuator Diameter - 3.5mm

Part Number	Height (mm)
TS-06	4.3
TS-06K	5.0
TS-06T	7.0
TS-06A	9.5
TS-06S	13.0

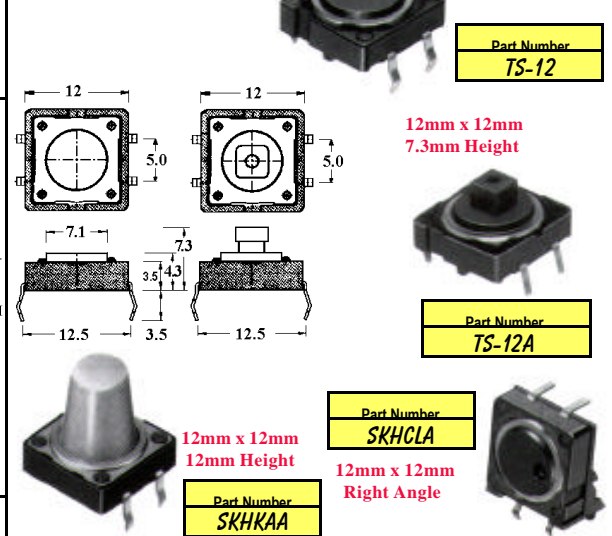
Part Number	Type
SKHHLM	Right Angle



ALPS

Tactile PCB 12 x 12mm

Switch type - PCB mount SPST Momentary
Contact rating - 50mA @ 12V DC
Contact resistance - <100m Ω ?
Actuator Diameter - 7.1mm



LED ILLUMINATED PCB TACTILE SWITCH

Switch type - PCB mount SPST Momentary
Contact rating - 50mA @ 12V DC
Contact resistance - <100m Ω ?
Actuator Diameter - 12 x 12mm

Part Number	Type
S1130	Red
S1131	Yellow
S1132	Green



T SERIES SUB-MINIATURE ILLUMINATED PUSH BUTTON SWITCHES

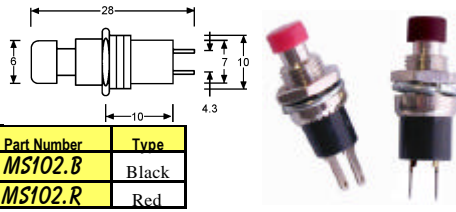
Switch type - PCB mount SPST Momentary
Contact rating - 10mA @ 12V DC
Contact resistance - <500 Ω

Type	Switching Function	Circuit Diagram
TR3-01	OFF (ON)	
Connecting terminal	1 3 4	
LED circuit	Single LED	
	Dual colour separate LED	

Part Number	Type
TR3-01	External LED

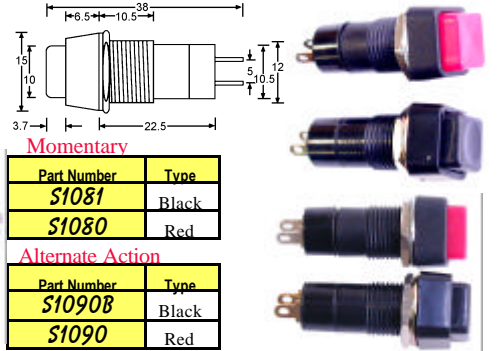
Economy Type

Economy Push button switch. Push to make.
Single pole single throw. 6mm mount hole.
1 Amp, 250V AC, solder terminating



Part Number	Type
MS102.B	Black
MS102.R	Red

Push button switch. Single pole single throw.
12mm mount hole. 3 Amp, 250V AC, Solder terminating



Part Number	Type
S1081	Black
S1080	Red

Part Number	Type
S1090B	Black
S1090	Red

ROUND PUSH BUTTON

Double pole double throw chassis mounting push button switches. 6mm mount hole.

Part Number	Type
S1091	Alternate action
S1092	Momentary action



Switch type - PCB mount SPST Mom.
Contact rating - 10mA @ 35V DC
Contact resistance - <20m Ω ?
Actuator Diameter - 9mm

PCB KEY TYPE PUSH BUTTON SWITCHES

Part Number	Type
S1094	Grey
S1095	Red
S1096	Black
S1097	Yellow
S1098	Green
S1099	White

