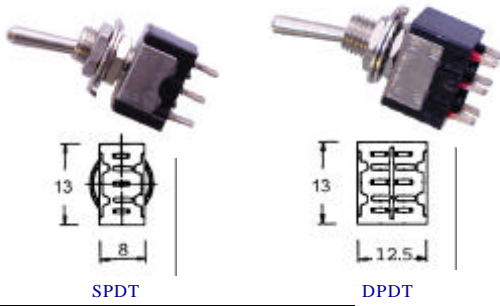


ECONOMY TOGGLE SWITCHES

Miniature toggle on/on switch. 6mm mount hole.
2.0 Amp, 250V AC, Solder terminating



Part Number	Style	Type
STM1	DPDT	On - On
STM2	SPDT	On - On

MINIATURE TOGGLE SWITCHES

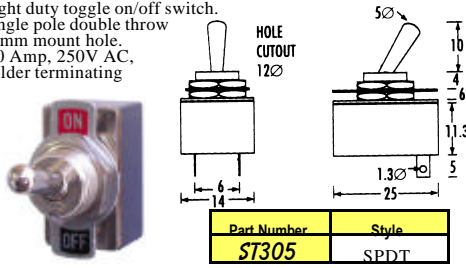
Subminiature toggle on/on switch.
5mm mount hole.
2.0 Amp, 250V AC,
solder terminating



Part Number	Type	Type
MTS11	DPDT	On - On

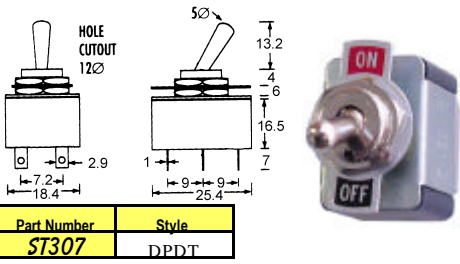
LARGE TOGGLE SWITCHES

Light duty toggle on/off switch.
Single pole double throw
12mm mount hole.
2.0 Amp, 250V AC,
Solder terminating



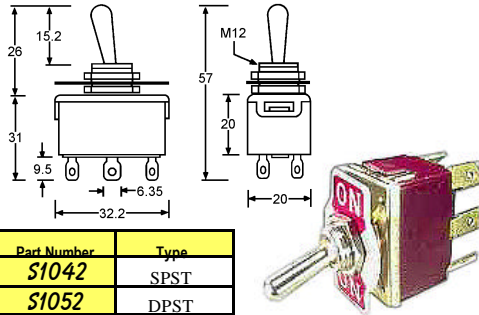
Part Number	Style
ST305	SPDT

Medium duty toggle on/off switch. Double pole double throw
12mm mount hole. 2.0 Amp, 250V AC, Solder terminating



Part Number	Style
ST307	DPDT

With On-Off plate and metal actuator. 12mm mount hole.
10 Amp, 220V AC, Quick connect tabs.



Part Number	Type
S1042	SPST
S1052	DPST

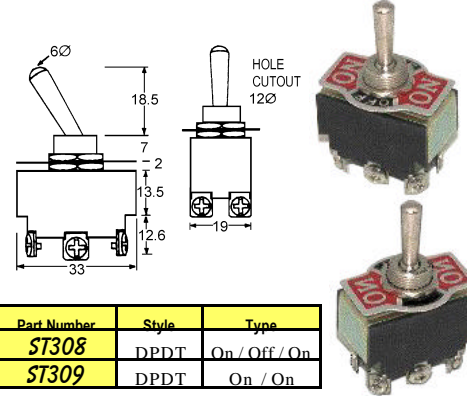
Universal splash proof cover. Suits most larger style
12mm mounting hole toggle switches. Insert the
retaining nut into the cover and screw the complete
assembly onto the switch ensuring a weather resistant
seal to the actuator.

Part Number
S1059



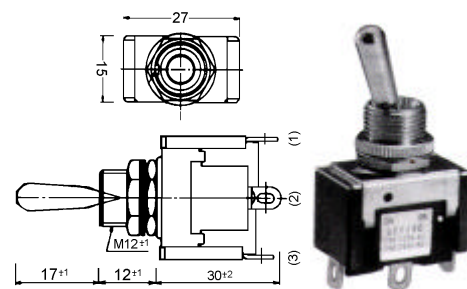
EXTRA HEAVY DUTY TOGGLE

Heavy duty toggle switch. Double pole double throw
12mm mount hole. 10 Amp, 250V AC, Screw terminals



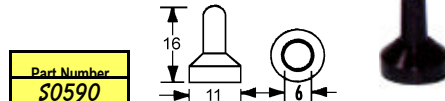
Part Number	Style	Type
ST308	DPDT	On / Off / On
ST309	DPDT	On / On

Heavy duty toggle on/momentary switch.
12mm mount hole. 15 Amp, 250V AC,
Solder terminals



Part Number	Style	Type
ST125A	SPST	On - On
ST225E	SPDT	On - Off - On
ST125F	SPST	On - (On)
ST225F	DPST	On - (On)

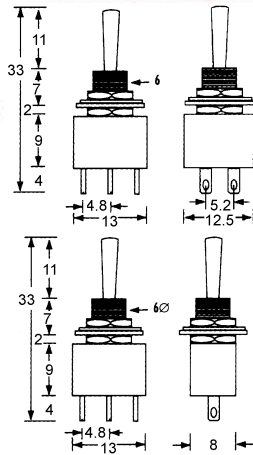
Universal splash proof cover. Suits most standard
miniature 6mm mounting hole toggle switches.



Part Number
S0590

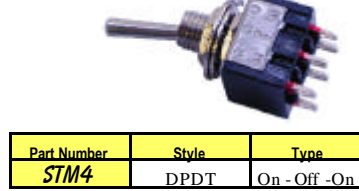
Economy Type

Miniature toggle on/off/on switch. Single
pole double throw 6mm mount hole.
2.0 Amp, 250V AC,
Solder terminating



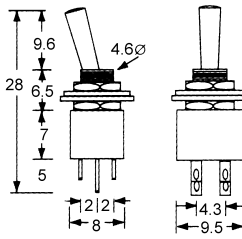
Part Number	Style	Type
STM3	SPDT	On - Off - On

Miniature toggle on/off/on switch. Double
pole double throw 6mm mount hole.
2.0 Amp, 250V AC,
Solder terminating



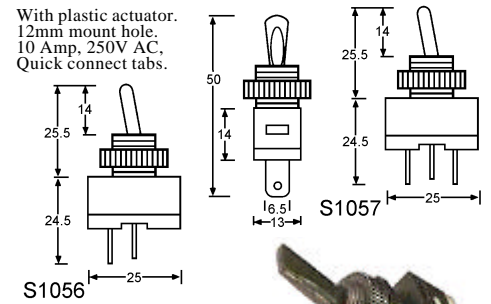
Part Number	Style	Type
STM4	DPDT	On - Off - On

Subminiature toggle on/on switch.
5mm mount hole.
2.0 Amp, 250V AC,
solder terminating



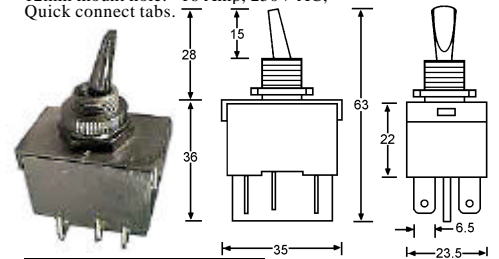
Part Number	Type	Type
MTS12	SPDT	On - On

With plastic actuator.
12mm mount hole.
10 Amp, 250V AC,
Quick connect tabs.



Part Number	Type
S1056	SPST
S1057	SPDT

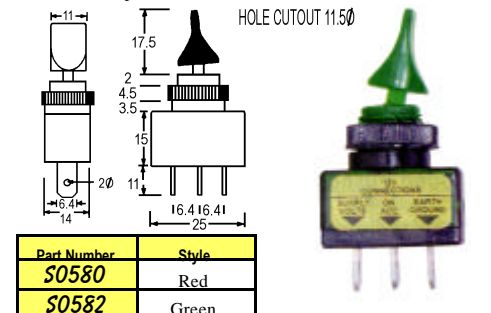
Extra heavy duty toggle. Double pole double throw
12mm mount hole. 16 Amp, 250V AC,
Quick connect tabs.



Part Number	Style
S1058	DPDT

12V ILLUMINATED TOGGLE

Illuminated duckbill switches ideally suited where indication
of unit is switched on. Two colours available
12VDC 16Amp SPST



Part Number	Style
S0580	Red
S0582	Green