

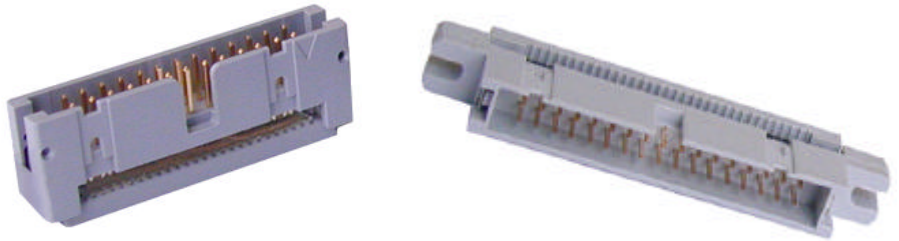
IDC PLUG BOXED HEADERS

IDC MALE HEADERS- BOXED STYLE

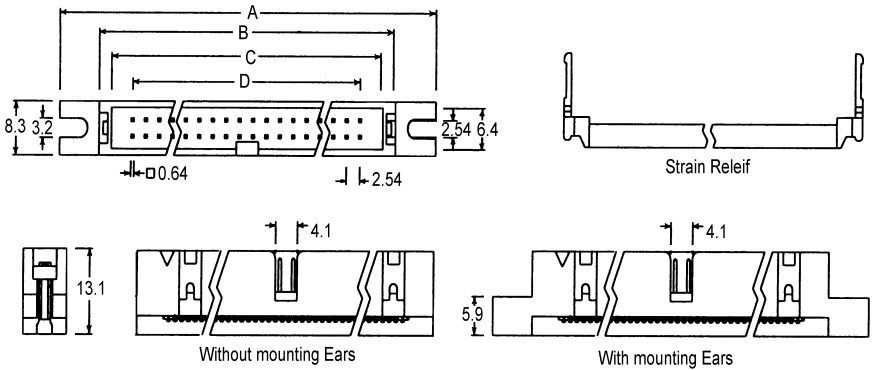
These IDC cable mount boxed plugs, offer low profile size and mates with standard cable mounting sockets.

- Features**
- * Fully shrouded provides ultimate reliability
 - * Low profile
 - * With polarization key
 - * With or without Mounting ears

Current Rating: 1 Amp 250VAC
 Insulator Resistance: 5000M Ω min
 Withstanding Voltage: 500VAC RMS
 Operating Temperature: -55°C - +105°C



Without Mounting Ears	With Mounting Ears	Number of Contacts	Dim. A	Dim. B	Dim. C	Dim. D
IDC10Y	IDC10YB	10	38.0	22.98	17.93	10.16
IDC14Y	IDC14YB	14	43.08	28.10	22.93	15.24
IDC16Y	IDC16YB	16	45.70	30.64	25.55	17.76
IDC20Y	IDC20YB	20	50.70	35.70	30.56	22.86
IDC26Y	IDC26YB	26	58.26	43.06	38.20	30.48
IDC34Y	IDC34YB	34	68.40	53.28	48.30	40.64
IDC40Y	IDC40YB	40	76.14	60.96	56.06	48.26
IDC50Y	IDC50YB	50	88.52	73.72	68.70	60.96



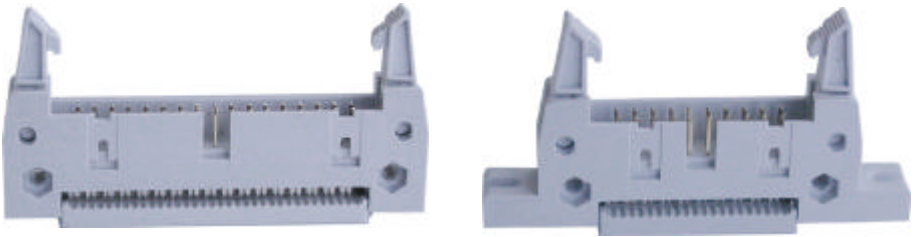
IDC PLUG EDJECTOR HEADER

IDC MALE HEADERS- WITH EDJECTORS

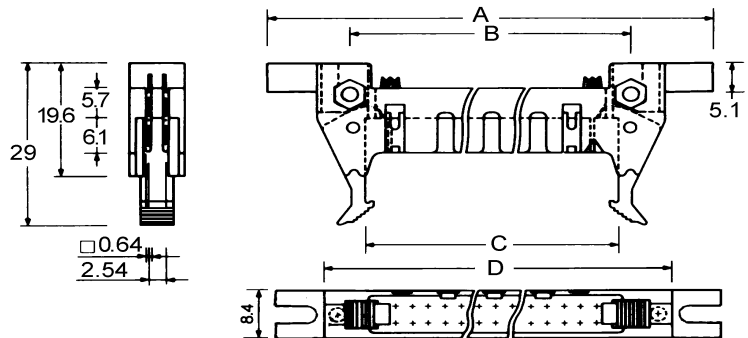
These IDC cable mount plugs, with cable ejectors, can easily withdraw IDC sockets.

- Features**
- * Fully shrouded provides ultimate reliability
 - * With ejector ears, for easy removal of socket
 - * With polarization key
 - * With or without mounting ears

Current Rating: 1 Amp 250VAC
 Insulator Resistance: 5000M Ω min
 Withstanding Voltage: 500VAC RMS
 Operating Temperature: -55°C - +105°C
 Housing: Glass filled polyester Nylon 94V-0



Without Mounting Ears	With Mounting Ears	Number of Contacts	Dim. A	Dim. B	Dim. C	Dim. D
IDC10HY	IDC10HYA	10	47.3	22.0	17.8	32.1
IDC14HY	IDC14HYA	14	52.4	27.1	22.9	37.2
IDC16HY	IDC16HYA	16	54.9	29.6	25.5	39.7
IDC20HY	IDC20HYA	20	60.0	34.7	30.6	44.8
IDC26HY	IDC26HYA	26	67.7	42.3	38.2	52.2
IDC34HY	IDC34HYA	34	77.8	52.5	48.4	62.6
IDC40HY	IDC40HYA	40	85.4	60.1	56.0	70.2
IDC50HY	IDC50HYA	50	98.1	72.8	68.7	82.9



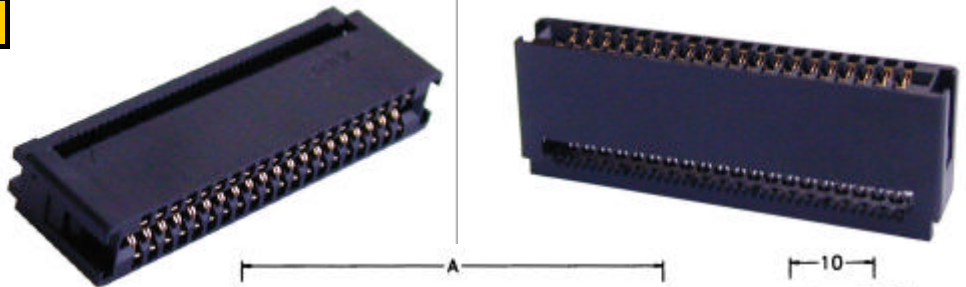
IDC CARD EDGE CONNECTORS

IDC CRIMP EDGE CONNECTORS

These IDC Edge connectors are designed specifically for connection to double sided PCB's. Standard stocked connectors are without mounting ears, and is available with mounting ears.

- Features**
- * Reliable interface to standard double sides
 - * Cable self-alignment slots on the underside cover
 - * Good contact design offers two points of contact

Current Rating: 1 Amp 250VAC
 Insulator Resistance: 1000M Ω min
 Operating Temperature: -55°C - +105°C
 Housing: Glass filled polyester Nylon 94V-0



Part Number	No. of Contacts	Dim. A	Dim. B	Dim. C
IDC14EDGE	14	27.26	20.72	15.24
IDC16EDGE	16	29.80	23.26	17.78
IDC20EDGE	20	34.90	28.64	22.86
IDC26EDGE	26	42.50	35.96	30.48
IDC34EDGE	34	52.66	46.12	40.64
IDC40EDGE	40	60.28	53.74	48.26
IDC50EDGE	50	72.98	66.4	60.96

