

IDC DIP PLUG CONNECTORS

IDC DIP PLUG

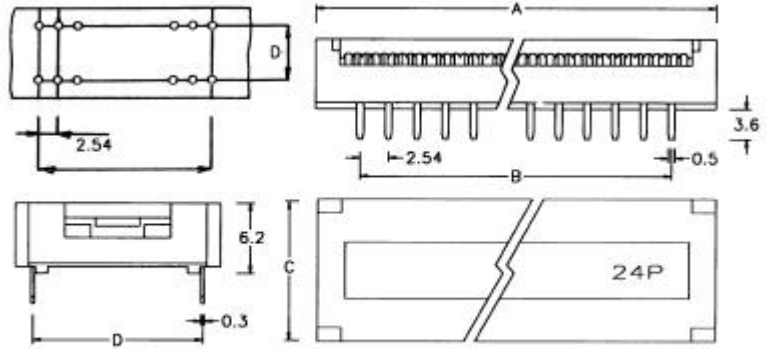
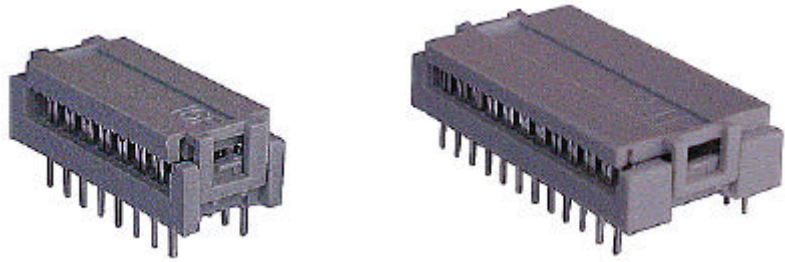
Dual in line plugs allow fast and reliable connection of IDC terminated cable to circuit boards fitted with standard DIL IC sockets.

Features

- * Ideal for board-to-board application
- * Compatible with standard Dip Sockets
- * Grooved cable positioning
- * Quick termination

Current Rating: 1 Amp 250VAC
 Insulator Resistance: 1000M Ω min
 Operating Temperature: -55°C - +105°C
 Housing: Glass filled polyester
 Nylon 94V-0
 Application wires: AWG #28 7strands - 1.27mm pitch flat cable

Part Number	No. of Contacts	Dim. A	Dim. B	Dim. C	Dim. D
IDC8DIP	8	14.25	7.62	10.60	7.62
IDC14DIP	14	22.70	15.24	10.60	7.62
IDC16DIP	16	25.10	17.78	10.60	7.62
IDC18DIP	18	26.92	20.32	10.60	7.62
IDC20DIP	20	29.70	22.86	10.60	7.62
IDC24DIP	24	34.78	27.94	18.18	15.24
IDC28DIP	28	39.92	32.78	18.18	15.24
IDC40DIP	40	55.20	48.26	18.18	15.24



TRANSITION PLUG CONNECTORS

TWO ROW PCB TRANSITION CONNECTORS

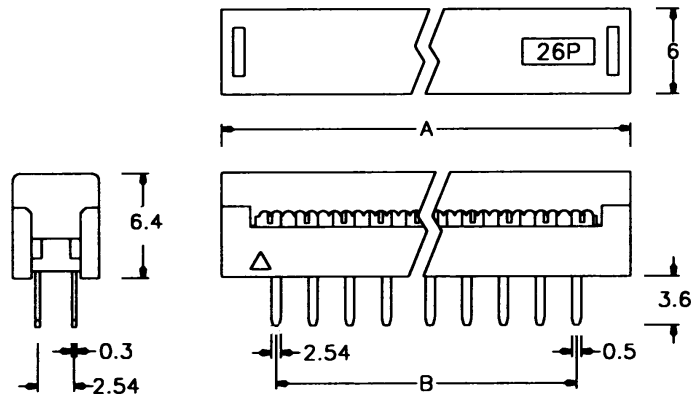
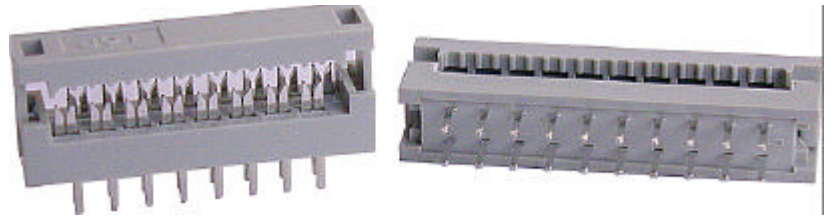
These two-row connector is designed for high density PCB applications, being 2.54mm (0.1") grid spacing.

Features

- * Low cost P.C board jumpers
- * Ideal for high density stacking on the PCB board
- * Designed to fit standard 2.54mm x 2.54mm grid pattern

Current Rating: 1 Amp 250VAC
 Insulator Resistance: 500M Ω min
 Withstanding Voltage: 500VAC RMS
 Operating Temperature: -55°C - +105°C
 Housing: Glass filled polyester Nylon 94V-0

Part Number	No. of Contacts	Dim. A	Dim. B
IDC10SOLDIP	10	17.84	10.16
IDC14SOLDIP	14	22.96	15.24
IDC16SOLDIP	16	25.42	17.78
IDC20SOLDIP	20	30.62	22.86
IDC26SOLDIP	26	38.18	30.48
IDC30SOLDIP	30	43.44	30.56
IDC34SOLDIP	34	48.36	40.54
IDC40SOLDIP	40	56.00	68.62
IDC50SOLDIP	50	68.68	60.96
IDC60SOLDIP	60	81.38	73.66



IDC STAGGERED TRANSITION PLUG

FOUR ROW PCB SOLDER TRANSITION CONNECTORS

These Four row, PCB connectors are soldered directly to the board for a fixed connection and can be assembled to flat cable before or after the soldering process. Assembled easily to standard 1.27mm flat ribbon cable.

Current Rating: 1 Amp 250VAC
 Insulator Resistance: 1000M Ω min
 Withstanding Voltage: 1000VAC RMS
 Operating Temperature: -55°C - +105°C
 Contact Material: Copper Alloy
 Contact Plating: Gold plating
 Housing: Glass filled polyester Nylon 94V-0

Part Number	No. of Contacts	Dim. A	Dim. B
3474-0005	10	11.43	18.17
3721-0005	16	19.05	25.79
3422-0005	20	24.13	30.87
3434-0005	26	31.75	38.49
3402-0005	34	41.91	48.65
3418-0005	40	49.53	56.27
3426-0005	50	62.23	68.97

