

2.0MM JST CRIMP RECEPTACLE 2AMP

2.0MM (0.079") SOCKET HOUSING

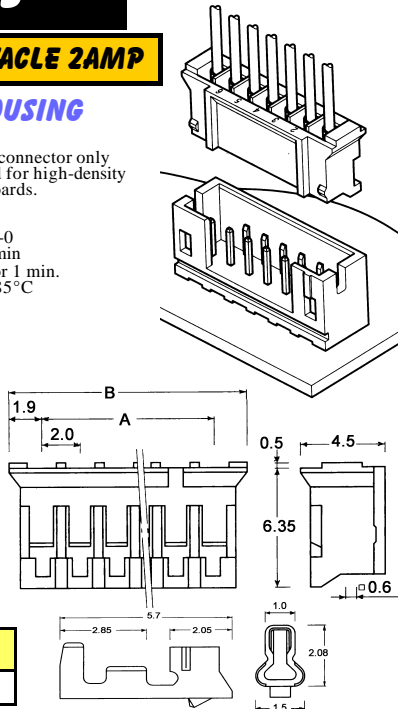
PH CONNECTOR SERIES

This is a thin, low profile 2.0mm (0.079") pitch connector only 7.5mm height. It is designed to meet the demand for high-density connection of internal wires to printed circuit boards.

Current Rating: 2 Amp
 Housing: Nylon 94V-0
 Insulator Resistance: 1000M Ω min
 Dielectric Withstanding Voltage: 800VAC for 1 min.
 Operating Temperature: -25°C - +85°C

| Housing Part Number | No. of Positions | Dim A | Dim B |
|---------------------|------------------|-------|-------|
| PHR-2 | 2 | 2.0 | 5.8 |
| PHR-3 | 3 | 4.0 | 7.8 |
| PHR-4 | 4 | 6.0 | 9.8 |
| PHR-5 | 5 | 8.0 | 11.8 |
| PHR-6 | 6 | 10.0 | 13.8 |
| PHR-8 | 8 | 14.0 | 17.8 |
| PHR-10 | 10 | 18.0 | 21.8 |
| PHR-12 | 12 | 22.0 | 25.8 |
| PHR-15 | 15 | 28.0 | 31.8 |

| Pin Contacts Part Number | No. Pins Per Packet | Wire gauge AWG# |
|--------------------------|---------------------|-----------------|
| PHS-002T | 100 | 24 to 30 |

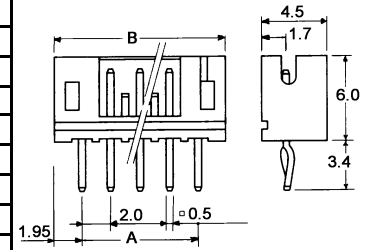


2.0MM (0.079") POLARISED HEADERS

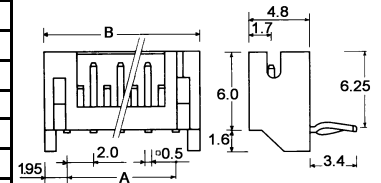
| Straight Part Number | No. of Positions | Dim A | Dim B |
|----------------------|------------------|-------|-------|
| PH-B2B | 2 | 2.0 | 5.9 |
| PH-B3B | 3 | 4.0 | 7.9 |
| PH-B4B | 4 | 6.0 | 9.9 |
| PH-B5B | 5 | 8.0 | 11.9 |
| PH-B6B | 6 | 10.0 | 10.0 |
| PH-B8B | 8 | 14.0 | 17.9 |
| PH-B10B | 10 | 18.0 | 21.9 |
| PH-B12B | 12 | 22.0 | 25.9 |
| PH-B15B | 15 | 28.0 | 31.9 |

| Right Angle Part Number | No. of Positions | Dim A | Dim B |
|-------------------------|------------------|-------|-------|
| PH-S2B | 2 | 2.0 | 5.9 |
| PH-S3B | 3 | 4.0 | 7.9 |
| PH-S4B | 4 | 6.0 | 9.9 |
| PH-S5B | 5 | 8.0 | 11.9 |
| PH-S6B | 6 | 10.0 | 10.0 |
| PH-S8B | 8 | 14.0 | 17.9 |
| PH-S10B | 10 | 18.0 | 21.9 |
| PH-S12B | 12 | 22.0 | 25.9 |
| PH-S15B | 15 | 28.0 | 31.9 |

PH CONNECTOR SERIES: STRAIGHT PCB HEADERS



PH CONNECTOR SERIES: RIGHT ANGLE PCB HEADERS



2.5MM JST CRIMP RECEPTACLE 3AMP

2.5MM (0.098") SOCKET HOUSING

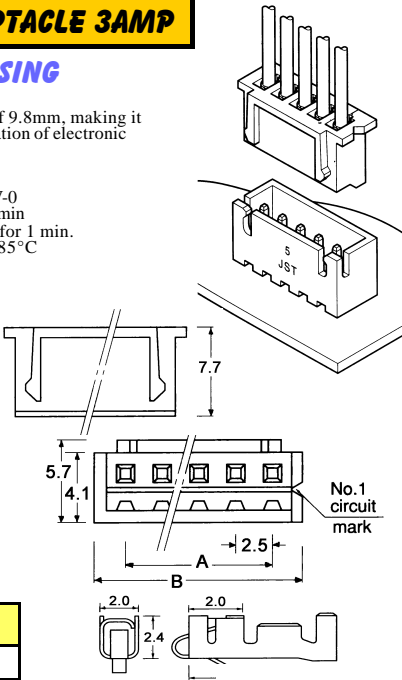
XH CONNECTOR SERIES

These are a small size with a mounting height of 9.8mm, making it ideal for high-density mounting and miniaturization of electronic equipment.

Current Rating: 3 Amp
 Housing: Nylon 94V-0
 Insulator Resistance: 1000M Ω min
 Dielectric Withstanding Voltage: 1000VAC for 1 min.
 Operating Temperature: -25°C - +85°C

| Housing Part Number | No. of Positions | Dim A | Dim B |
|---------------------|------------------|-------|-------|
| XHP-2 | 2 | 2.5 | 5.7 |
| XHP-3 | 3 | 5.0 | 8.2 |
| XHP-4 | 4 | 7.5 | 10.7 |
| XHP-5 | 5 | 10.0 | 13.2 |
| XHP-6 | 6 | 12.5 | 15.7 |
| XHP-8 | 8 | 17.5 | 20.7 |
| XHP-10 | 10 | 22.5 | 25.7 |
| XHP-12 | 12 | 27.5 | 30.7 |
| XHP-15 | 15 | 32.0 | 38.2 |

| Pin Contacts Part Number | No. Pins Per Packet | Wire gauge AWG# |
|--------------------------|---------------------|-----------------|
| SXH001TP06 | 100 | 22 to 28 |

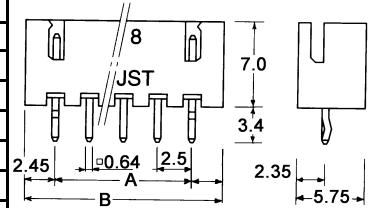


2.5MM (0.098") POLARISED HEADERS

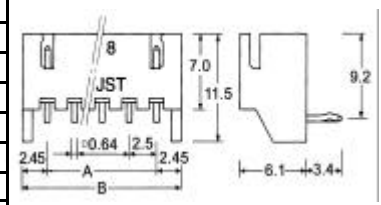
| Straight Part Number | No. of Positions | Dim A | Dim B |
|----------------------|------------------|-------|-------|
| XH-B2B | 2 | 2.5 | 7.4 |
| XH-B3B | 3 | 5.0 | 9.9 |
| XH-B4B | 4 | 7.5 | 12.4 |
| XH-B5B | 5 | 10.0 | 14.9 |
| XH-B6B | 6 | 12.5 | 17.4 |
| XH-B8B | 8 | 17.5 | 22.4 |
| XH-B10B | 10 | 22.5 | 27.4 |
| XH-B12B | 12 | 27.5 | 32.4 |
| XH-B15B | 15 | 35.0 | 39.9 |

| Right Angle Part Number | No. of Positions | Dim A | Dim B |
|-------------------------|------------------|-------|-------|
| XH-S2B | 2 | 2.5 | 7.4 |
| XH-S3B | 3 | 5.0 | 9.9 |
| XH-S4B | 4 | 7.5 | 12.4 |
| XH-S5B | 5 | 10.0 | 14.9 |
| XH-S6B | 6 | 12.5 | 17.4 |
| XH-S8B | 8 | 17.5 | 22.4 |
| XH-S10B | 10 | 22.5 | 27.4 |
| XH-S12B | 12 | 27.5 | 32.4 |
| XH-S15B | 15 | 35.0 | 39.9 |

XH CONNECTOR SERIES: STRAIGHT PCB HEADERS



XH CONNECTOR SERIES: RIGHT ANGLE PCB HEADERS



2.5MM JST CRIMP RECEPTACLE (WIRE TO WIRE)

2.5MM (0.098") SOCKET HOUSING 3AMP

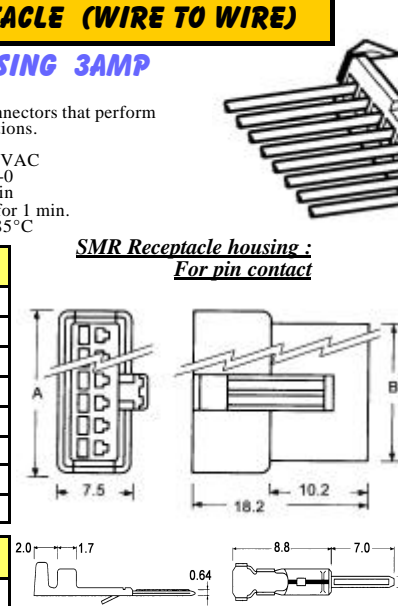
SM CONNECTOR SERIES

The SM series are 2.5mm pitch, wire to wire connectors that perform reliability in high-density, small current applications.

Current Rating: 3 Amp 250VAC
 Housing: Nylon 94V-0
 Insulator Resistance: 500M Ω min
 Dielectric Withstanding Voltage: 1000VAC for 1 min.
 Operating Temperature: -25°C - +85°C

| Receptacle Housing Part Number | No. of Positions | Dim A | Dim B |
|--------------------------------|------------------|-------|-------|
| SMR-02V | 2 | 8.0 | 5.5 |
| SMR-03V | 3 | 10.5 | 8.0 |
| SMR-04V | 4 | 13.0 | 10.5 |
| SMR-05V | 5 | 15.5 | 13.0 |
| SMR-06V | 6 | 18.0 | 15.5 |
| SMR-08V | 8 | 23.0 | 20.5 |
| SMR-10V | 10 | 28.0 | 25.5 |
| SMR-12V | 12 | 33.0 | 30.5 |

| Pin Contacts Part Number | No. Pins Per Packet | Wire gauge AWG# |
|--------------------------|---------------------|-----------------|
| SYM-001T | 100 | 22 to 28 |



SMR Receptacle housing: For pin contact

| Socket Housing Part Number | No. of Positions | Dim A |
|----------------------------|------------------|-------|
| SMP-02V | 2 | 5.5 |
| SMP-03V | 3 | 8.0 |
| SMP-04V | 4 | 10.5 |
| SMP-05V | 5 | 13.0 |
| SMP-06V | 6 | 15.5 |
| SMP-08V | 8 | 20.5 |
| SMP-10V | 10 | 25.5 |
| SMP-12V | 12 | 30.5 |

| Socket Contacts Part Number | No. Pins Per Packet | Wire gauge AWG# |
|-----------------------------|---------------------|-----------------|
| SHF-001T | 100 | 22 to 28 |



SMP Plug housing: For socket contact

