

ALUMINIUM ELECTROLYTIC

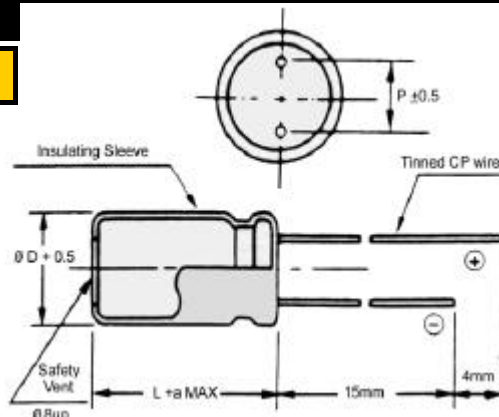
RADIAL LEAD "RB"

Standard radial leads type for general purpose use.

- * Low impedance characteristics
- * Case sizes are smaller than conventional general-purpose capacitors, with very high performance.
- * Ultra low leakage
- * Closer capacitance tolerance

Temp range -40°C to +85°C

Tolerance ? 20 %



Outside Diameter	D ² :	5	6	8	10	13	16	18
Lead Spacing	P	2	2.5	3.5	5	5	7.5	7.5
Lead Wire	d ² :	0.5	0.5	0.6	0.6	0.6	0.8	0.8

Dimension: mm



Part Number	Capacitance	Voltage	Size (mm)
RB0.47/63V	0.047uF	63V	5 x 11
RB1/63V	1uF	63V	5 x 11
RB1/450V	1uF	450V	5 x 11
RB2.2/63V	2.2uF	63V	5 x 11
RB3.3/63V	3.3uF	63V	5 x 11
RB4.7/63V	4.7uF	63V	5 x 11
RB4.7/350V	4.7uF	350V	10 x 20
RB10/63V	10uF	63V	5 x 11
RB10/160V	10uF	160V	10 x 16
RB10/350V	10uF	350V	10 x 20
RB22/25V	22uF	25V	5 x 11
RB22/35V	22uF	35V	5 x 11
RB22/50V	22uF	50V	5 x 11
RB22/63V	22uF	63V	6.3 x 11
RB22/160V	22uF	160V	13 x 20
RB33/25V	33uF	25V	5 x 11
RB33/63V	33uF	63V	8 x 11
RB47/16V	47uF	16V	5 x 11
RB47/25V	47uF	25V	5 x 11
RB47/35V	47uF	35V	5 x 11
RB47/50V	47uF	50V	6.3 x 11
RB47/63V	47uF	63V	8 x 11
RB47/100V	47uF	100V	13 x 25
RB47/160V	47uF	160V	16 x 25
RB47/350V	47uF	350V	16 x 31.5

Part Number	Capacitance	Voltage	Size (mm)
RB100/16V	100uF	16V	5 x 11
RB100/25V	100uF	25V	6.3 x 11
RB100/35V	100uF	35V	8 x 11
RB100/50V	100uF	50V	8 x 11
RB100/63V	100uF	63V	10 x 12
RB100/160V	100uF	160V	16 x 25
RB220/16V	220uF	16V	8 x 11
RB220/25V	220uF	25V	8 x 11
RB220/35V	220uF	35V	8 x 16
RB220/50V	220uF	50V	10 x 12
RB220/63V	220uF	63V	10 x 16
RB330/16V	330uF	16V	8 x 11
RB330/25V	330uF	25V	8 x 11
RB330/35V	330uF	35V	10 x 17
RB330/50V	330uF	50V	10 x 16
RB330/63V	330uF	63V	10 x 20
RB470/16V	470uF	16V	8 x 11
RB470/25V	470uF	25V	10 x 12.5
RB470/35V	470uF	35V	10 x 16
RB470/50V	470uF	50V	10 x 20
RB470/63V	470uF	63V	16 x 26
RB470/160V	470uF	160V	22 x 41

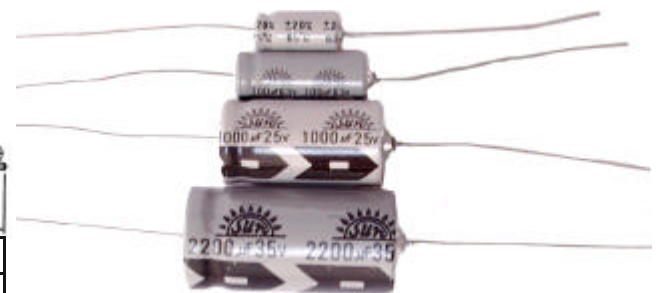
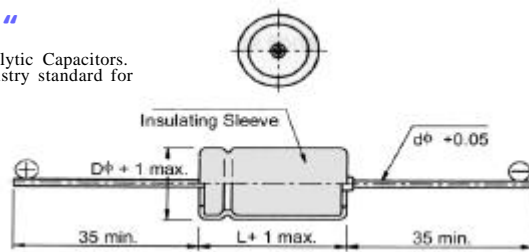
Part Number	Capacitance	Voltage	Size (mm)
RB1000/16V	1000uF	16V	10 x 16
RB1000/25V	1000uF	25V	10 x 20
RB1000/35V	1000uF	35V	13 x 21
RB1000/50V	1000uF	50V	16 x 26
RB1000/63V	1000uF	63V	16 x 26
RB2200/16V	2200uF	16V	13 x 21
RB2200/25V	2200uF	25V	13 x 26
RB2200/35V	2200uF	35V	16 x 31
RB2200/63V	2200uF	63V	22 x 41
RB3300/25V	3300uF	25V	16 x 32
RB3300/35V	3300uF	35V	18 x 30
RB3300/50V	3300uF	50V	18 x 36
RB4700/16V	4700uF	16V	16 x 32
RB4700/25V	4700uF	25V	18 x 36
RB4700/35V	4700uF	35V	22 x 36
RB4700/50V	4700uF	50V	22 x 41
RB10000/25V	10000uF	25V	22 x 40

AXIAL LEAD "RT"

Type "RT" Series Axial Lead Electrolytic Capacitors. These have been accepted as the industry standard for high reliability and long operational life.

Temp range -40°C to +85°C

Tolerance ? 20 %



Part Number	Capacitance	Voltage	Size (mm)
RT1/63V	1.0uF	63V	5 x 12.5
RT1/350V	1.0uF	350V	8 x 16
RT2.2/63V	2.2uF	63V	5 x 12.5
RT4.7/63V	4.7uF	63V	5 x 12.5
RT4.7/350V	4.7uF	350V	10 x 21
RT10/25V	10uF	25V	5 x 13
RT10/63V	10uF	63V	6.3 x 13
RT10/160V	10uF	160V	10 x 21
RT10/450V	10uF	450V	13 x 31.5
RT22/25V	22uF	25V	5 x 13
RT22/50V	22uF	50V	8 x 16
RT47/25V	47uF	25V	7 x 16
RT47/63V	47uF	63V	10 x 17
RT47/160V	47uF	160V	13 x 23
RT47/350V	47uF	350V	18 x 40

Outside Diameter	D ² :	6 - 13	16 - 25
Lead Wire	d ² :	0.6	0.8

Dimension: mm

Part Number	Capacitance	Voltage	Size (mm)
RT100/16V	100uF	16V	6.3 x 12.5
RT100/25V	100uF	25V	7 x 20
RT100/63V	100uF	63V	10 x 21
RT220/16V	220uF	16V	8 x 16
RT100/350V	100uF	350V	22 x 52
RT220/25V	220uF	25V	9 x 20
RT220/35V	220uF	35V	10 x 17
RT220/50V	220uF	50V	13 x 26
RT470/16V	470uF	16V	10 x 17
RT470/35V	470uF	35V	10 x 21
RT470/50V	470uF	50V	12 x 21
RT470/63V	470uF	63V	15 x 31

Part Number	Capacitance	Voltage	Size (mm)
RT1000/16V	1000uF	16V	10 x 21
RT1000/25V	1000uF	25V	12 x 25
RT1000/35V	1000uF	35V	13 x 26
RT1000/63V	1000uF	63V	22 x 42
RT2200/16V	2200uF	16V	13 x 26
RT2200/25V	2200uF	25V	16 x 39
RT2200/35V	2200uF	35V	16 x 33
RT2200/50V	2200uF	50V	25 x 50
RT3300/25V	3300uF	25V	15 x 39
RT4700/25V	4700uF	25V	17 x 39
RT4700/35V	4700uF	35V	22 x 42